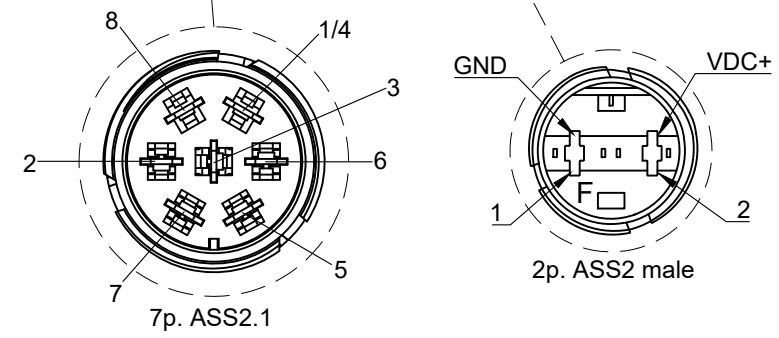
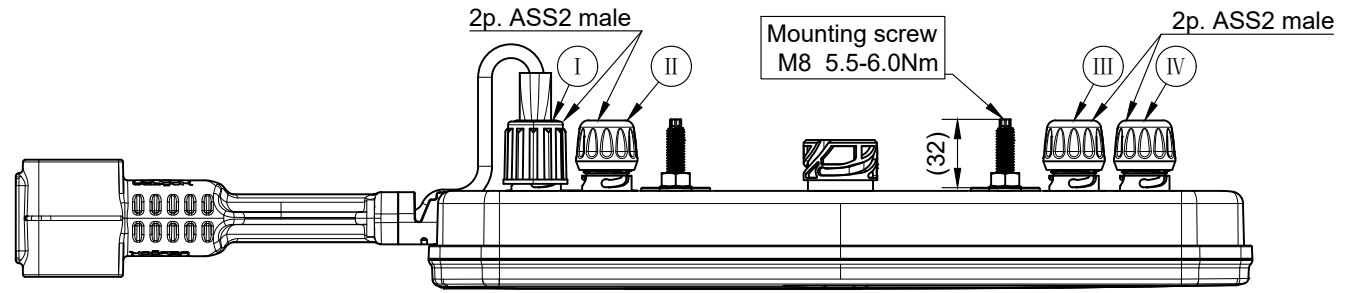
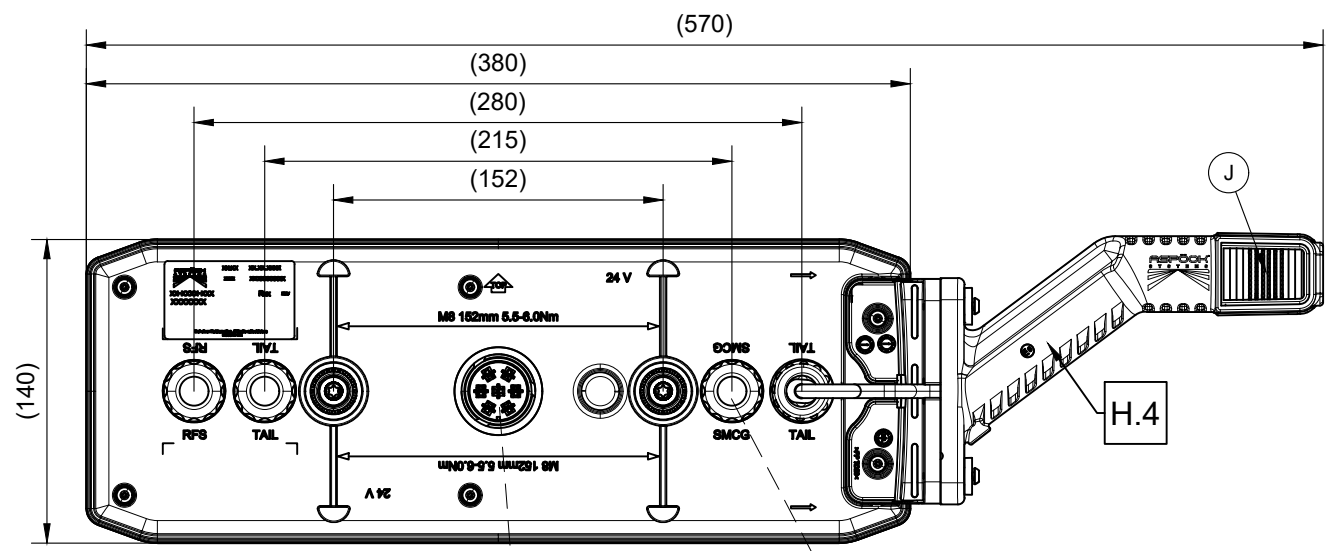
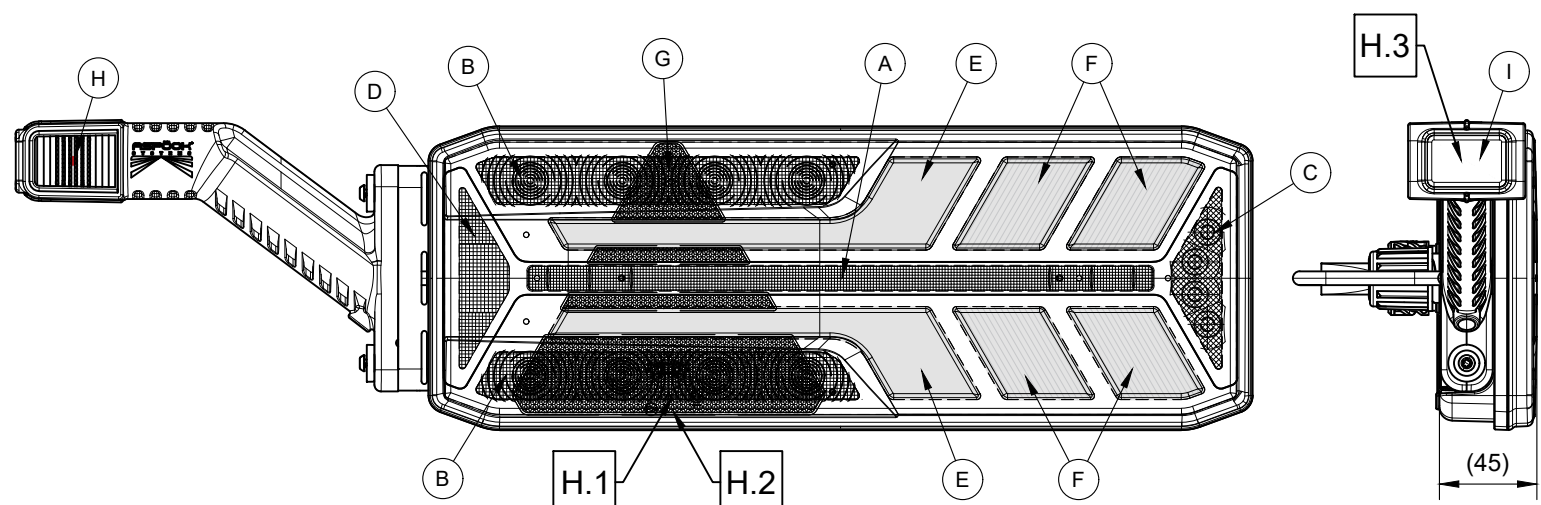
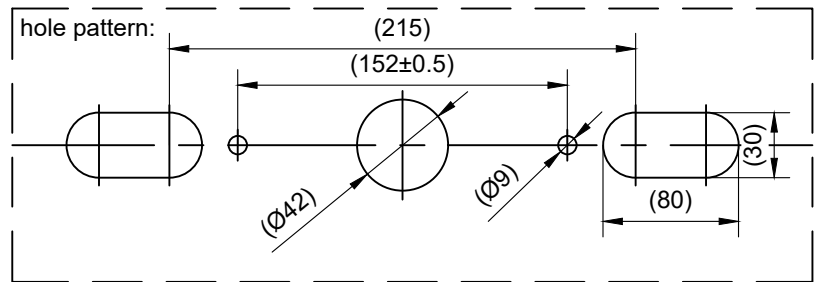


Level	Zone	ECI N°.	Revision note	Date	Designed	Checked



7p. ASS2.1	pin
Blinker LH <i>DI LH</i>	1 / 4
Nebelschl. <i>Fog</i>	2
Masse <i>GND</i>	3
Rücklicht RH <i>Tail RH</i>	5
Bremse <i>Stop</i>	6
Rücklicht LH <i>Tail LH</i>	7
Rückfahr. <i>Reverse</i>	8

Electrical Specification				
Funktion <i>Function</i>	Nennspannung <i>Nominal Voltage</i>	Spannungsbereich <i>Voltage Range</i>	Nennstrom <i>Nominal Current</i>	Nennleistung <i>Nominal Power</i>
Volt (V)	Volt (V)	Volt (V)	Ampere (A)	Watt (W)
DI	24V	18V - 33V	0.35A	8.3W
Stop	24V	18V - 33V	0.16A	3.8W
Reverse	24V	18V - 33V	0.11A	2.7W
Fog	24V	18V - 33V	0.17A	4.0W
Tail LH	24V	18V - 33V	0.15A	3.6W
Tail RH	24V	18V - 33V	0.10A	2.5W
End outline marker	24V	10V - 30V	0.12A	3.0W

Technische Daten zur SMCG/technical specification for SMCG:
 Spannungsbereich/voltage range: 18V - 33V
 Strombereich/current range: Ausgangsstrom/output current max. 1A
 Elektronisch Überspannungs- und Überstromgesichert/overcurrentprotected
 Thermische Stromabschaltung am Ausgang bei ca. 1,2A
 (Kurzschlussfest) Verpolungsschutz/thermal power cut-off at the output at approx. (shortcircuit proof) reserve polarity protection

FUNCTION:	
Blinker LH LED <i>DI LH LED</i>	A
Bremse LED <i>Stop LED</i>	B
Nebelschl. LED <i>Fog LED</i>	C
Rückfahr. LED <i>Reverse LED</i>	D
Rücklicht LH LED <i>Tail LH LED</i>	E
Rücklicht RH LED <i>Tail RH LED</i>	F
Reflektierendes Dreieck <i>Reflex reflector triangle</i>	G
Positionslicht rot (Umrissarm) <i>Position light red (rubber arm) (Tail RH)</i>	H
Seitenmarkierung rot (Umrissarm) <i>Side marker red (rubber arm) (Tail RH)</i>	I
Positionslicht weiss (Umrissarm) <i>Position light white (rubber arm) (Tail RH)</i>	J

Homologation description						
H.1	E9	148R	R1	S1	2a	F1
1928	150R	00	IIIA			
	10R	06				
H.2	E9	3902				
	10R	06				
H.3	E9	SM1	A	R1		
	6878	00	02	02		
H.4	E9	10R				
	6765	05				

FUNCTION:	
Rücklicht. RH <i>Tail RH</i>	I
SMCG Ausgang (Rüchl. LH) <i>SMCG out (Tail LH)</i>	II
Rücklicht. LH <i>Tail LH</i>	III
Rückfahr. <i>Reverse</i>	IV

CP_03-0_Bemaßungsrichtlinie () Auxiliary dimension DIN 406-10 Theoretical dimension ISO 1101
 Test dimension (SPC) [] Unfinished dimension DIN 406-10 Surface quality ISO 1302

Designed by: Leidinger Sabine, 2022/08/31
 Checked by: Strubreiter Daniel, 2022/09/..
 Approved by: Enzlmüller Manuel, 2022/09/..

ASPOCK SYSTEMS
 Designation: EcoLED III LH ASS2 7p. + 4x2p SMCG + EOL
 Drawing Nr. 25412303
 Business Unit SALES - 24

DRAFT
 Project number -
 Tolerance: CP_04-2_Toleranzen Verkabelungsprodukte
 Weight: -
 Scale: not in scale
 Level: R01
 Sheet: 1 / 1

Part Number: 25-4123-037
 Dimensions in mm

Transmittal, reproduction, dissemination and/or editing of this document as well as utilization of its contents and communication thereof to others without express authorization are prohibited. Offenders will be held liable for payment of damages. All rights created by patent grant or registration of a utility model or design patent are reserved.

