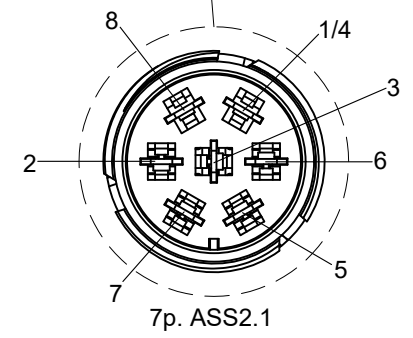
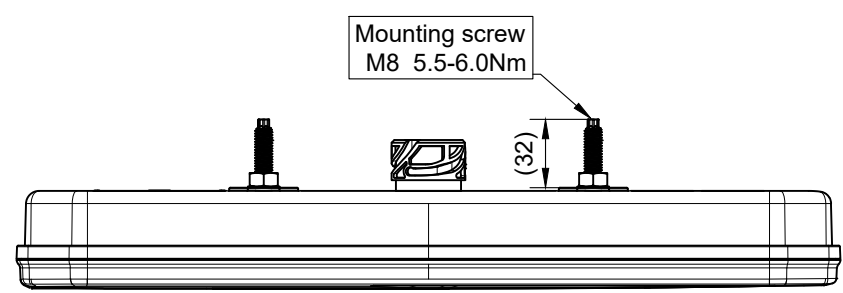
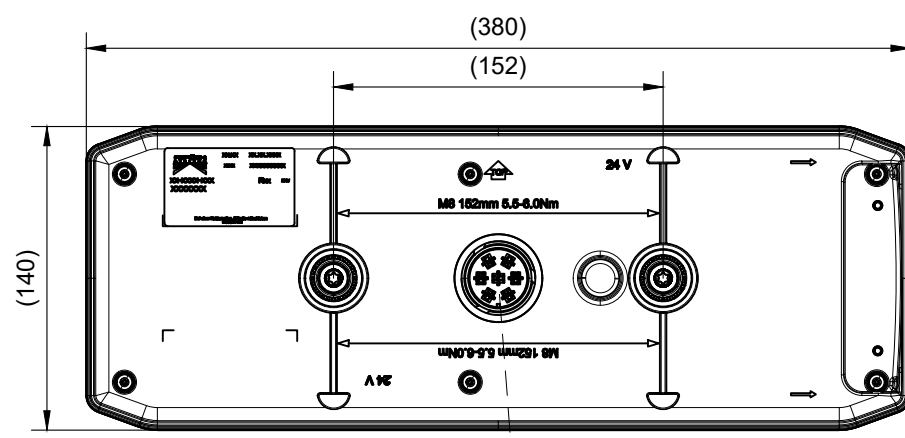
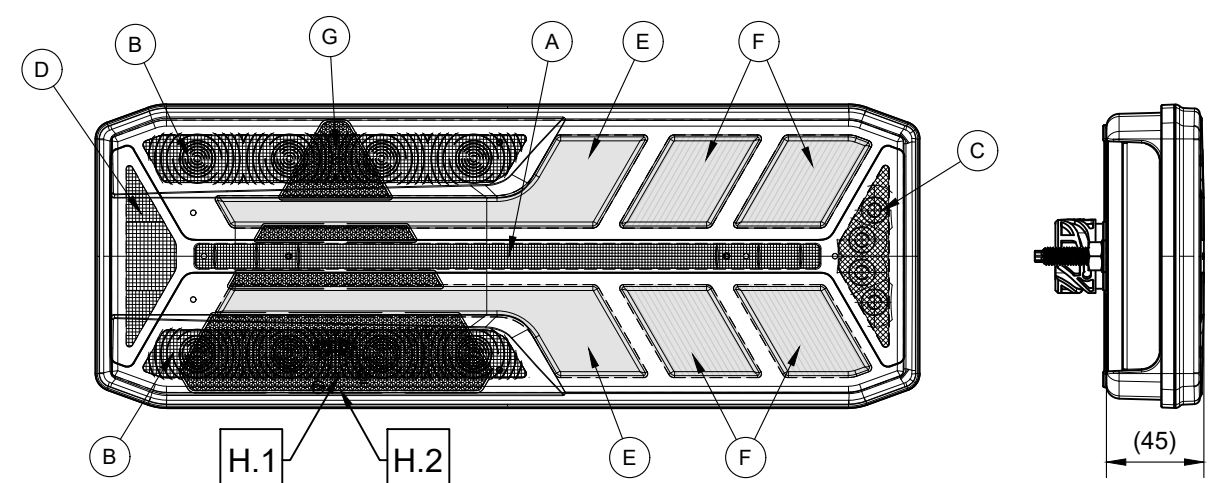
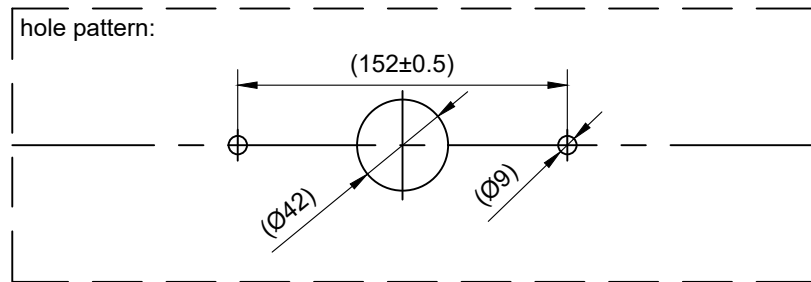


Level	Zone	ECI N°.	Revision note	Date	Designed	Checked



7p. ASS2.1	function	pin
Blinker LH	DI LH	1 / 4
Nebelschl.	Fog	2
Masse	GND	3
Rücklicht RH	Tail RH	5
Bremse	Stop	6
Rücklicht LH	Tail LH	7
Rückfahr.	Reverse	8

Electrical Specification				
Funktion	Nennspannung	Spannungsbereich	Nennstrom	Nennleistung
Function	Nominal Voltage	Voltage Range	Nominal Current	Nominal Power
Volt (V)	Volt (V)	Volt (V)	Ampere (A)	Watt (W)
DI	24V	18V - 33V	0.35A	8.3W
Stop	24V	18V - 33V	0.16A	3.8W
Reverse	24V	18V - 33V	0.11A	2.7W
Fog	24V	18V - 33V	0.17A	4.0W
Tail LH	24V	18V - 33V	0.15A	3.6W
Tail RH	24V	18V - 33V	0.10A	2.5W

FUNCTION:	
Blinker LH LED	A
Bremse LED	B
Nebelschl. LED	C
Rückfahr. LED	D
Rücklicht LH LED	E
Rücklicht RH LED	F
Reflektierendes Dreieck	G

Homologation description							
H.1	E9	148R	R1	S1	2a	AR	F1
	1928	150R	IIIA				
H.2	E9	10R					
	3902	06					

CP_03-0_Bemaßungsrichtlinie () Auxiliary dimension DIN 406-10 Theoretical dimension ISO 1101

Test dimension (SPC) Unfinished dimension DIN 406-10 Surface quality ISO 1302

Designed by Leidinger Sabine	Checked by Strubreiter Daniel	Approved by Enzlmüller Manuel	DRAFT
2022/08/31	2022/09/..	2022/09/..	
Designation EcoLED III LH ASS2 7p.			Project number -
Drawing Nr. 25412301			Weight -
Business Unit SALES - 24			Scale not in scale
Tolerance CP_04-2_Toleranzen Verkabelungsprodukte			Level R01
Part Number 25-4123-017			Sheet 1 / 1

Dimensions in mm

Transmittal, reproduction, dissemination and/or editing of this document as well as utilization of its contents and communication thereof to others without express authorization are prohibited. Offenders will be held liable for payment of damages. All rights created by patent grant or registration of a utility model or design patent are reserved.

