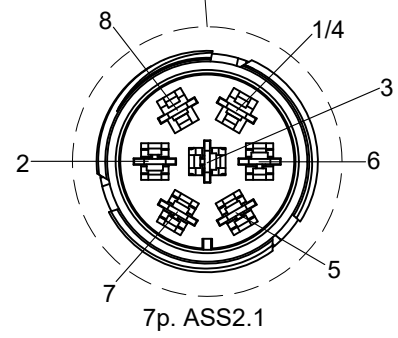
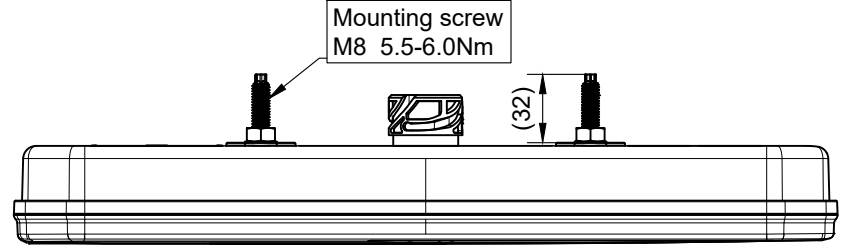
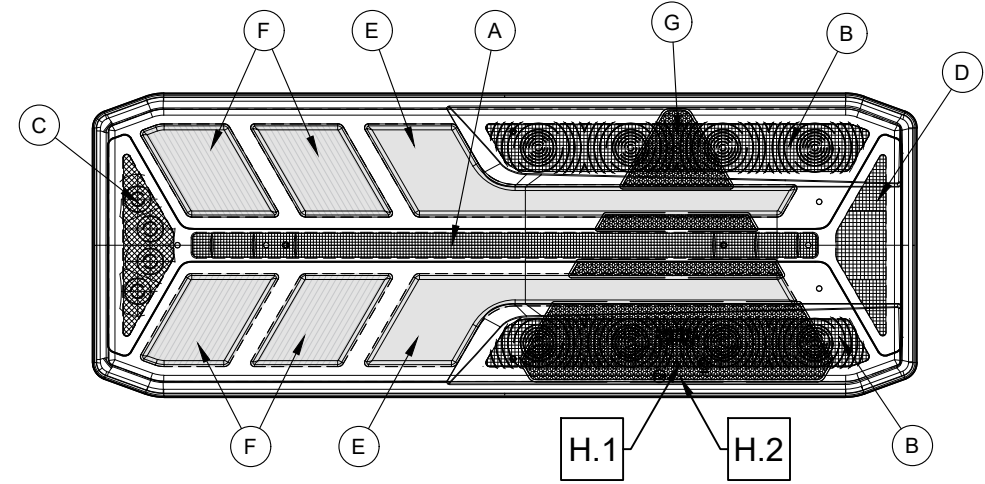
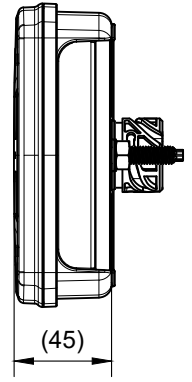
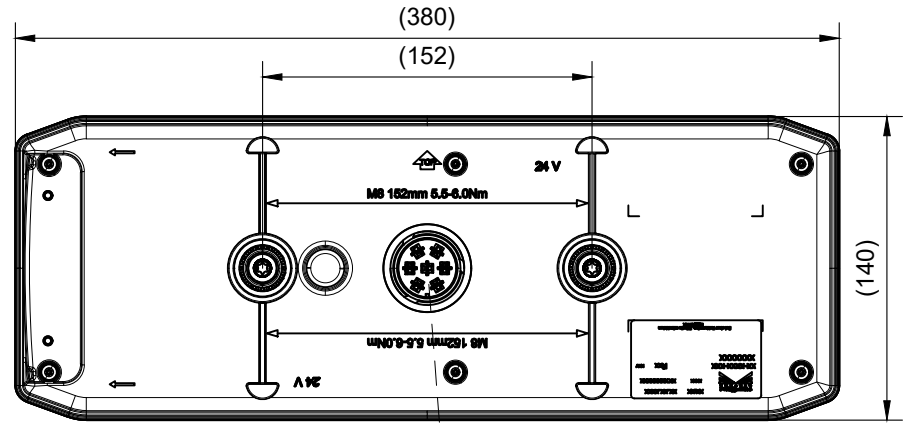
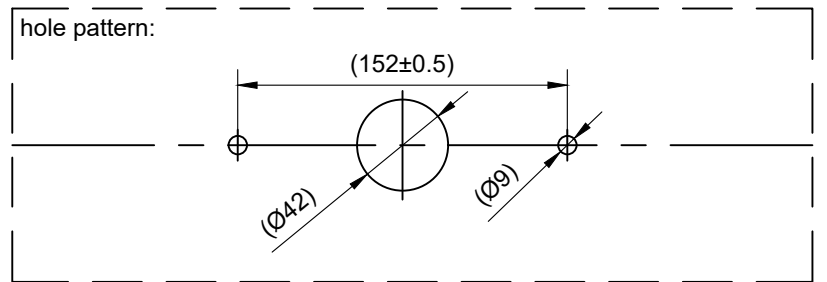


Level	Zone	ECI N°.	Revision note	Date	Designed	Checked



7p. ASS2.1	
function	pin
Blinker RH <i>DI RH</i>	1 / 4
Nebelschl. <i>Fog</i>	2
Masse <i>GND</i>	3
Rücklicht RH <i>Tail RH</i>	5
Bremse <i>Stop</i>	6
Rücklicht LH <i>Tail LH</i>	7
Rückfahr. <i>Reverse</i>	8

Electrical Specification				
Funktion <i>Function</i>	Nennspannung <i>Nominal Voltage</i>	Spannungsbereich <i>Voltage Range</i>	Nennstrom <i>Nominal Current</i>	Nennleistung <i>Nominal Power</i>
Volt (V)	Volt (V)	Volt (V)	Ampere (A)	Watt (W)
DI	24V	18V - 33V	0.35A	8.3W
Stop	24V	18V - 33V	0.16A	3.8W
Reverse	24V	18V - 33V	0.11A	2.7W
Fog	24V	18V - 33V	0.17A	4.0W
Tail RH	24V	18V - 33V	0.15A	3.6W
Tail LH	24V	18V - 33V	0.10A	2.5W

FUNCTION:	
Blinker RH LED <i>DI RH LED</i>	A
Bremse LED <i>Stop LED</i>	B
Nebelschl. LED <i>Fog LED</i>	C
Rückfahr. LED <i>Reverse LED</i>	D
Rücklicht RH LED <i>Tail RH LED</i>	E
Rücklicht LH LED <i>Tail LH LED</i>	F
Reflektierendes Dreieck <i>Reflex reflector triangle</i>	G

Homologation description							
H.1	E9 1928	148R 00	R1	S1	2a	AR	F1
H.2	E9 3902	150R 00	IIIA				

CP\_03-0\_Bemaßungsrichtlinie ( ) Auxiliary dimension DIN 406-10  Theoretical dimension ISO 1101  
 ○ Test dimension (SPC) [ ] Unfinished dimension DIN 406-10  Surface quality ISO 1302

Designed by Leidinger Sabine 2022/08/31 Checked by Strubreiter Daniel 2022/09/.. Approved by Enzlmüller Manuel 2022/09/..

**ASPOCK SYSTEMS** Designation EcoLED III RH ASS2 7p. Project number -

Drawing Nr. 25412201 Tolerance CP\_04-2\_Toleranzen Verkabelungsprodukte Weight - Scale not in scale

Business Unit SALES - 24 Level R01 Sheet 1 / 1

Part Number 25-4122-017 Dimensions in mm

Transmittal, reproduction, dissemination and/or editing of this document as well as utilization of its contents and communication there of to others without express authorization are prohibited. Offenders will be held liable for payment of damages. All rights created by patent grant or registration of a utility model or design patent are reserved.

